

Analytics Kit

VMA-AS3-ANK

For:
16- and 24-Port Video Appliance (VMA-AS3-16P, VMA-AS3-24P, VMA-AS3X-16P, VMA-AS3X-24P)

© 2023, Avigilon Corporation. All rights reserved. AVIGILON, the AVIGILON logo, AVIGILON CONTROL CENTER, ACC, and AVIGILON APPEARANCE SEARCH are trademarks of Avigilon Corporation. Other names or logos mentioned herein may be the trademarks of their respective owners. The absence of the symbols ™ and ® in proximity to each trademark in this document or at all is not a disclaimer of ownership of the related trademark.

This document has been compiled and published using product descriptions and specifications available at the time of publication. The contents of this document and the specifications of the products discussed herein are subject to change without notice. Avigilon Corporation reserves the right to make any such changes without notice. Neither Avigilon Corporation nor any of its affiliated companies: (1) guarantees the completeness or accuracy of the information contained in this document; or (2) is responsible for your use of, or reliance on, the information. Avigilon Corporation shall not be responsible for any losses or damages (including consequential damages) caused by reliance on the information presented herein.

Avigilon Corporation
avigilon.com

20230620

Table of Contents

Introduction	4
Installing the Analytics Kit into the 16 Port or 24 Port Video Appliance	5
Updating and Configuring the 16 Port or 24 Port Video Appliance for Analytics	7

Introduction

Install the Analytics Kit for Video Appliances (VMA-AS3-ANK) to use the Avigilon Control Center (ACC™) video analytics features on the following Avigilon appliances:

- Any HD Video Appliance 16 Port model (VMA-AS3-16P and VMA-AS3X-16P)
- Any HD Video Appliance 24 Port model (VMA-AS3-24P and VMA-AS3X-24P)

Installation of the Analytics Kit is a four-step procedure:

1. Install the physical kit into the device.
2. Update the Windows OS software of the device.
3. Run the Configuration Tool for the Analytics Kit.
4. Install the latest version the ACC software used at your site.

Note: To make use of the Analytics Kit for a Video Appliance after it has been configured, you must use the ACC software version 6.8.6.4 or later.

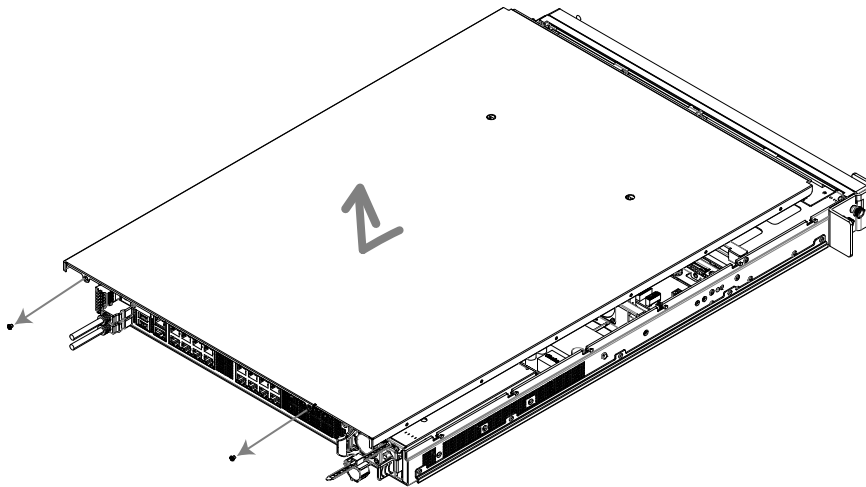
Installing the Analytics Kit into the 16 Port or 24 Port Video Appliance

Install the Analytics Kit for the Video Appliance (VMA-AS3-ANK) in any HD Video Appliance 16 Port or 24 Port model to use the video analytics features of the Avigilon Control Center (ACC™) system.

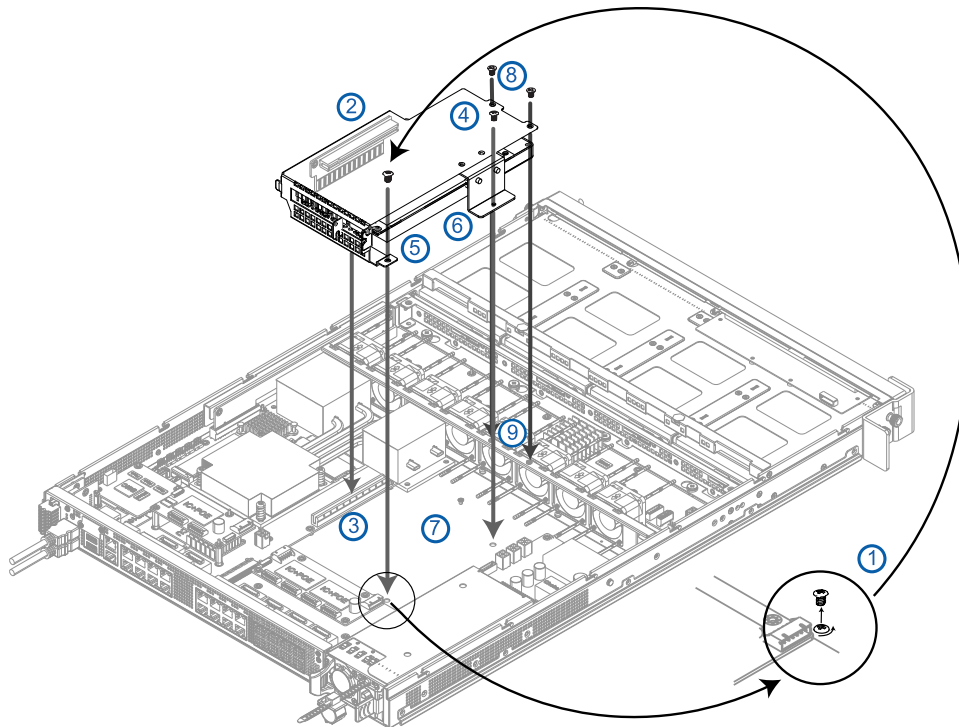
The Analytics Kit consists of the GPU pre-installed in a mounting bracket that drops into place in the chassis and is secured in place with four screws.

1. Make sure the appliance is turned off, and:
 - All network, power and peripheral cables are disconnected from the recorder.
 - It is recommended that you use a static mat or static strap to ground yourself against static shock.
2. Remove the top of the appliance by unscrewing the two screws at the back of the appliance, sliding the top backward to release it from the front bezel and lifting it off.

Tip: You can pull the cover back using the tabs that are used by the screws to connect the cover to the chassis.



3. The Analytics Kit is installed in the open area towards the back of the chassis next to the internal power supply:



- a. Remove the round-headed screw (1) from the bottom of the chassis and set aside.
 - b. Place the Analytics Kit into the chassis, ensuring the connector (2) fits securely into the slot (3).
 - c. Fasten the Analytics Kit to the chassis with the screw (1) and the three screws provided with the kit:
 - i. Insert the round-headed screws (1) and (4) through the holes on the mounting bracket tabs (5) and (6) into the corresponding threaded holes on the bottom of the chassis (7).
 - ii. Insert and tighten the two flat-headed screws (8) to included with the kit into the threaded holes (9) on the crossbar.
4. Reattach the top of the appliance by placing the top on the appliance just behind the front bezel, sliding the top forwards, and screwing the top back onto the appliance.
 5. Install the required Windows driver for the Analytics Kit. See *Updating and Configuring the 16 Port or 24 Port Video Appliance for Analytics* on the next page.

Updating and Configuring the 16 Port or 24 Port Video Appliance for Analytics

You must reconfigure the GPU before installing the ACC Analytics Service software. It is recommended to download the latest GPU drivers from NVIDIA's website. After it is installed, Avigilon Analytics functionality will be automatically configured on the appliance to operate with the Avigilon Control Center software.

1. Download the latest GPU drivers from NVIDIA's website. Update the driver software for the version of the Windows operating system on your appliance.
2. Navigate to the **GPU Configuration Tool**, which is located on your system at:
`C:\Avigilon\3rdPartyInstallers\GPU Configuration Tool`
3. Right-click **GPU Configuration Tool.exe** and select **Run as administrator**.

Allow the Configuration Tool to run and finish. You will see the message **System Rebranding Requested**, and several processing messages as the system is reconfigured for the new GPU provided with the Analytics Kit. The process takes under ten minutes. After it completes the appliance will automatically restart.

After the Analytics Kit has been installed and configured, you can download, install and run the latest version of the AvigilonControl Center software.

Limited Warranty

Avigilon warranty terms for this product are provided at [avigilon.com/warranty](https://www.avigilon.com/warranty).